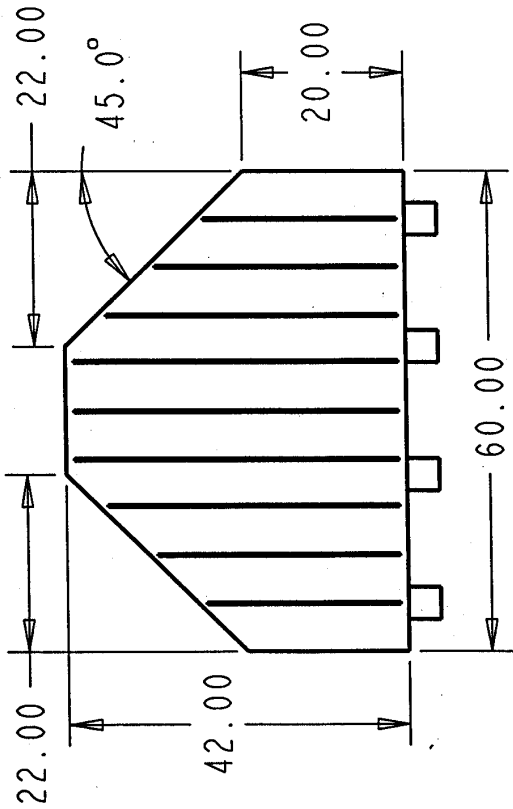
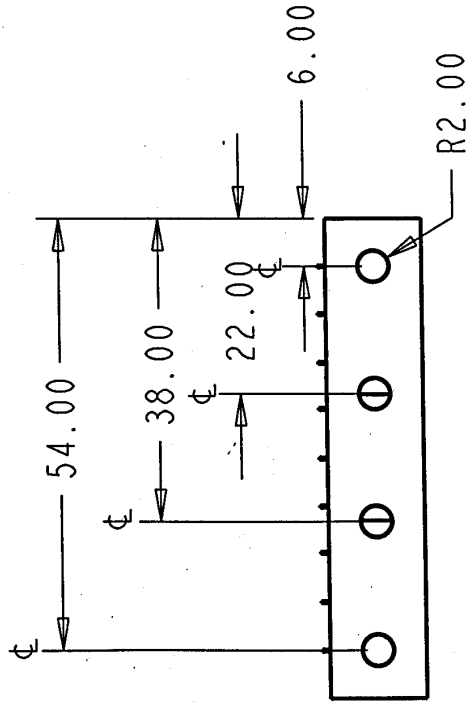


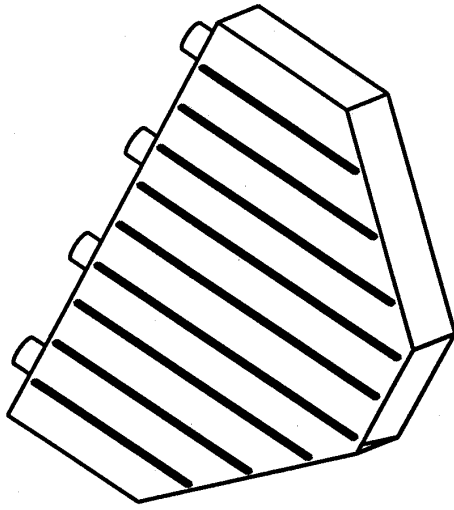
For Educational Use Only



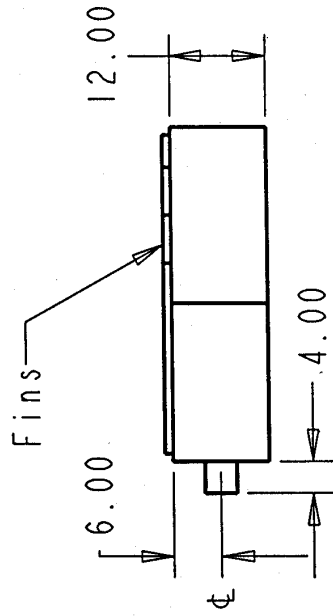
For Educational Use Only



Constructed From 14GA Carbon Steel
Fins Shown are 1" x 0.25" Flat Stock
Fins Spaced 6" between centers



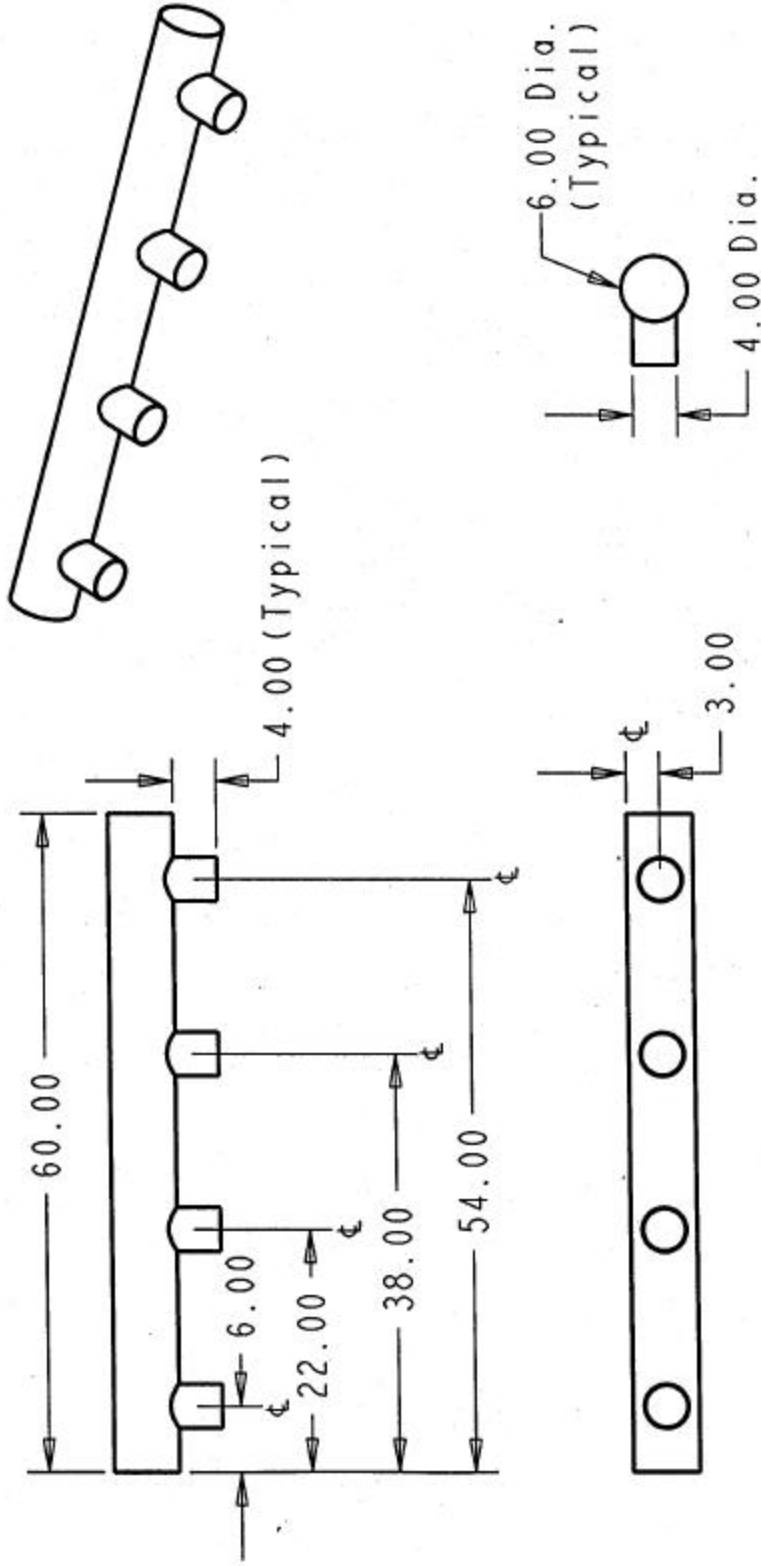
For Educational Use Only



NCSU, BAE DEPT.	
PROJECT: HEAT EXCHANGER	
PART: Combustion Chamber	
Scale: 3/64	Date: 10/15/00
Sheet 1 of 3	DWG by: GHE

For Educational Use Only

For Educational Use Only



For Educational Use Only

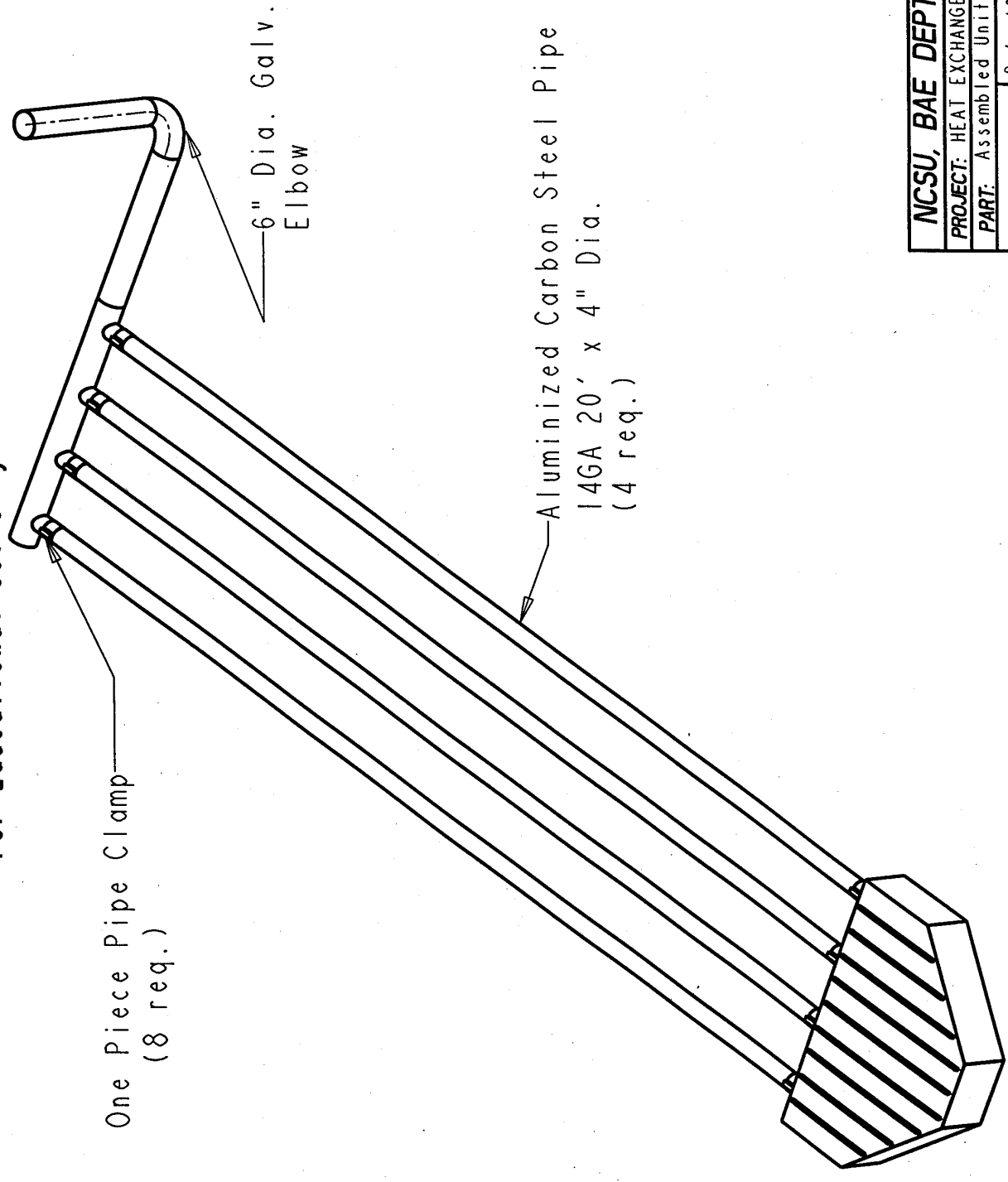
Constructed From 14GA Carbon Steel

NCSU, BAE DEPT.	
PROJECT:	HEAT EXCHANGER
PART:	Exhaust Manifold
Scale:	1/16
Date:	10/15/00
Sheet 2 of 3	DWG by: GHE

For Educational Use Only

For Educational Use Only

For Educational Use Only



One Piece Pipe Clamp
(8 req.)

6" Dia. Galv.
Elbow

Aluminized Carbon Steel Pipe
14GA 20' x 4" Dia.
(4 req.)

For Educational Use Only

NCSU, BAE DEPT.	
PROJECT: HEAT EXCHANGER	
PART: Assembled Unit	
Scale: 1/64	Date: 10/15/00
Sheet 3 of 3	DWG by: GHE

For Educational Use Only

