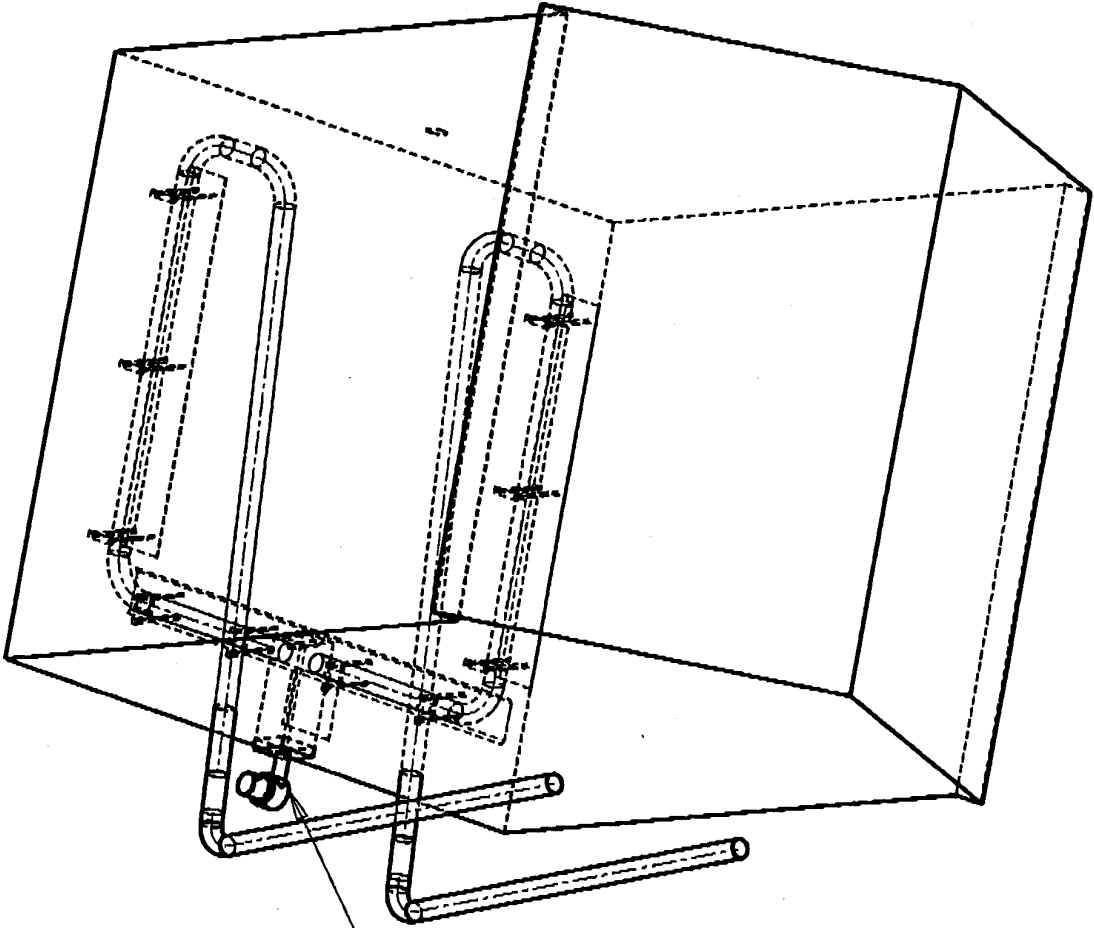


For Educational Use Only



For Educational Use Only

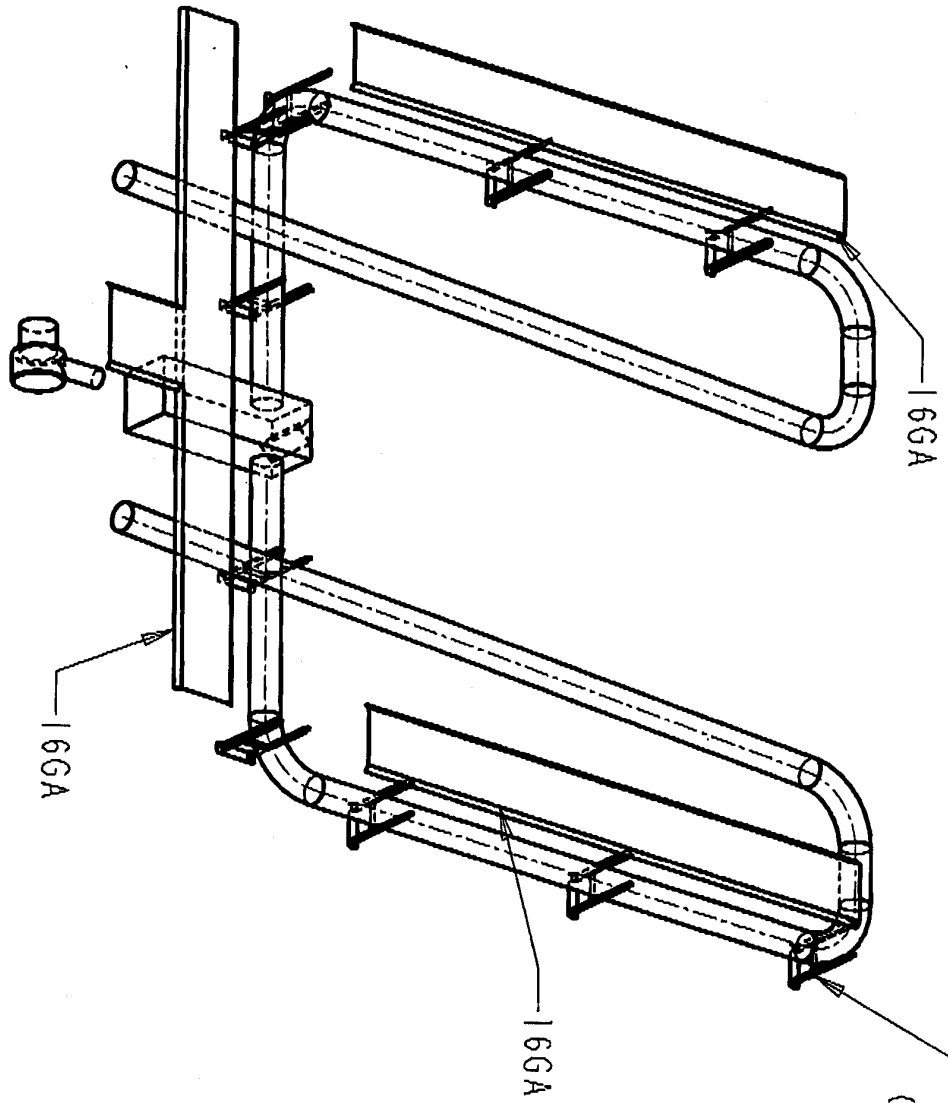
(Outside the Barn)
Gas or Oil Burner
Appx. 250,000 Btu/hr

For Educational Use Only

For Educational Use Only

NCSU, BAE DEPT.	
PROJECT: StickBarn Heat Ex.	
PART: Assembled Unit	
Scale:	Date:
Sheet of	DWG by: GHE

For Educational Use Only



For Educational Use Only

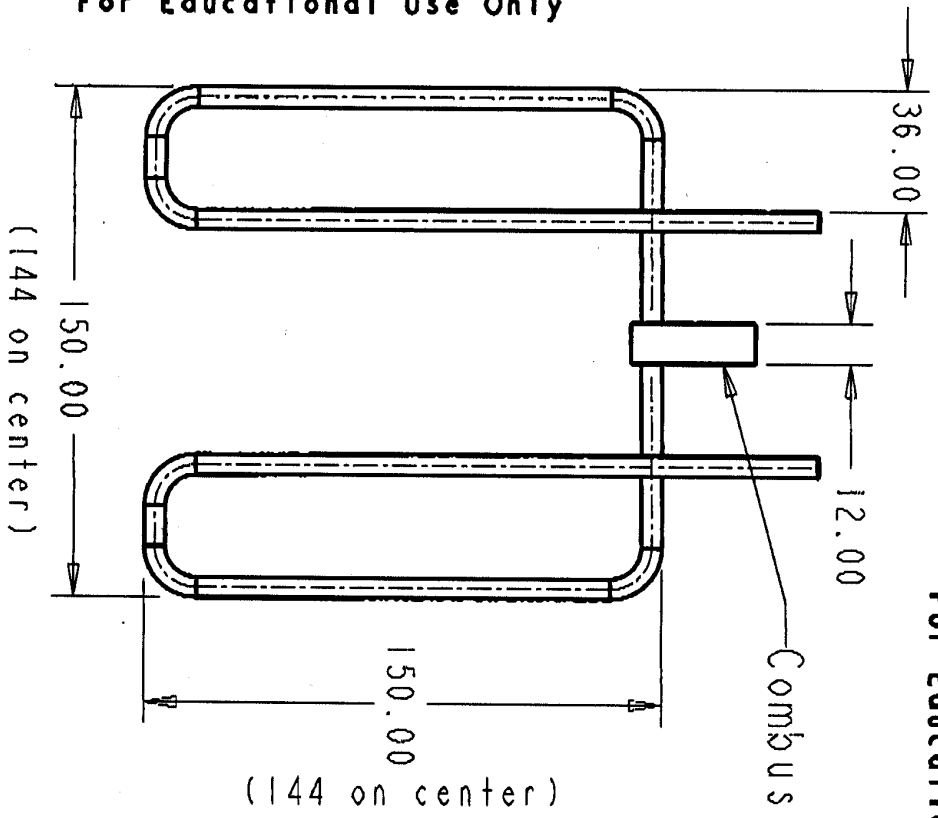
Angle Iron Pipe Support
(1" x 1" x 1/8" Angle)

For Educational Use Only

For Educational Use Only

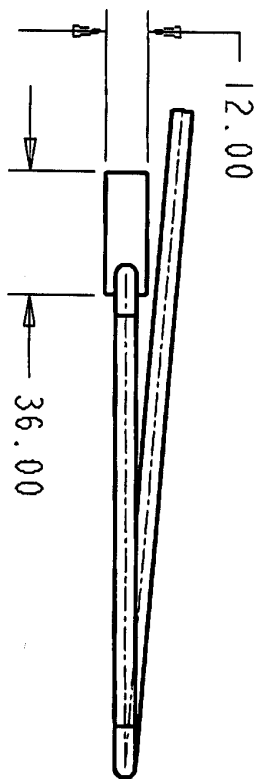
NCSU, BAE DEPT.	
PROJECT: StickBarn Heat Ex.	
PART: Heat Ex. Assembly	
Scale:	Date:
Sheet of	DWG by: GAE

For Educational Use Only



For Educational Use Only

Use 6" \varnothing Pipe - 16GA (0.0598")

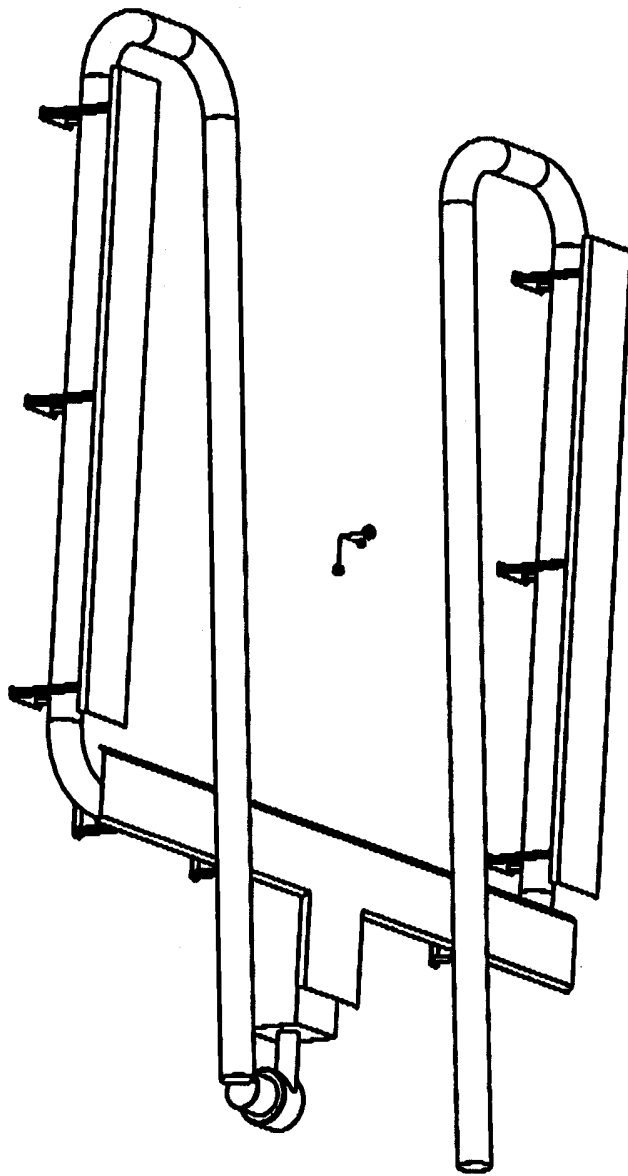


For Educational Use Only

For Educational Use Only

NCSU, BAE DEPT.	
PROJECT: SlickBurn Heat Ex.	
PART: Heat Exchanger	
Scale:	Date:
Sheet of	DWG by: GAE

For Educational Use Only



For Educational Use Only

For Educational Use Only

For Educational Use Only